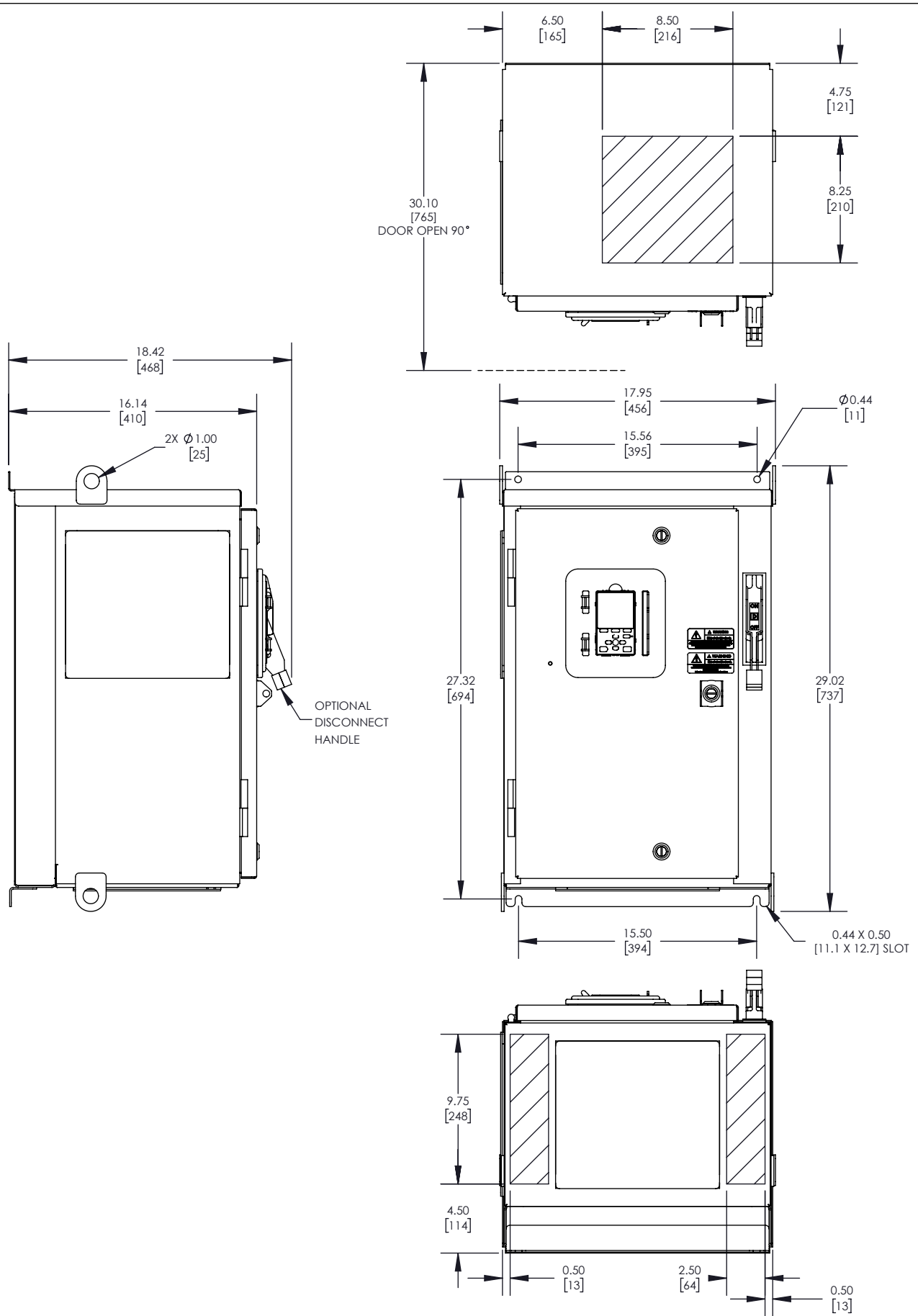



NOTES:

- A. FOR REFERENCE UNLESS PROPERLY ENDORSED. FOR ADDITIONAL DETAILS AND SPECIFICATIONS, CONSULT YASKAWA AMERICA, INC.
- B. DIMENSIONS ARE IN INCHES [MILLIMETERS]
- C. USE APPROPRIATE TYPE RATED HUBS OR FITTINGS TO MAINTAIN ENCLOSURE RATING.
- D. HATCHED AREA INDICATES PERMISSIBLE CONDUIT ENTRANCE AREA.
- E. FANS, FILTERS AND/OR CLOSING PLATES ARE SUPPLIED AS NEEDED PER OPTION SELECTIONS.

<b>YASKAWA</b> <small>THIS DOCUMENT AND INFORMATION CONTAINED IN IT ARE CONFIDENTIAL AND CANNOT BE COPIED OR DISCLOSED IN WHOLE OR IN PART WITHOUT THE EXPRESS WRITTEN CONSENT OF YASKAWA AMERICA INC.</small>	ORIGINAL DESIGN: <b>A. Jandrin</b>	DATE: <b>10/29/2019</b>	<b>TITLE: DIMENSION DRAWING, GA800, W1, TYPE 12</b>		
	DRAWN: <b>A. Jandrin</b>	DATE: <b>10/29/2019</b>			
	CHECKED: <b>D. Guckenberger</b>	DATE: <b>10/29/2019</b>	SIZE: <b>A</b>	REVISION: <b>00</b>	PAGE: <b>1 OF 2</b>
UNITS: <b>INCHES</b>	SCALE: <b>NONE</b>	APPROVED: <b>K. Flierl</b>	DATE: <b>10/29/2019</b>	DRAWING #: <b>DD.G.12.W1.01</b>	



	ORIGINAL DESIGN: A. Jandrin	DATE: 10/29/2019	TITLE: <b>DIMENSION DRAWING, GA800, W1, TYPE 12</b>		
	DRAWN: A. Jandrin	DATE: 10/29/2019			
<small>THIS DOCUMENT AND INFORMATION CONTAINED IN IT ARE CONFIDENTIAL AND CANNOT BE COPIED OR DISCLOSED IN WHOLE OR IN PART WITHOUT THE EXPRESS WRITTEN CONSENT OF YASKAWA AMERICA INC.</small>	CHECKED: D.Guckenberger	DATE: 10/29/2019	SIZE: A	REVISION: 00	PAGE: 2 OF 2
	APPROVED: K. Flierl	DATE: 10/29/2019	DRAWING #:		
UNITS: INCHES	SCALE: NONE				DD.G.12.W1.01